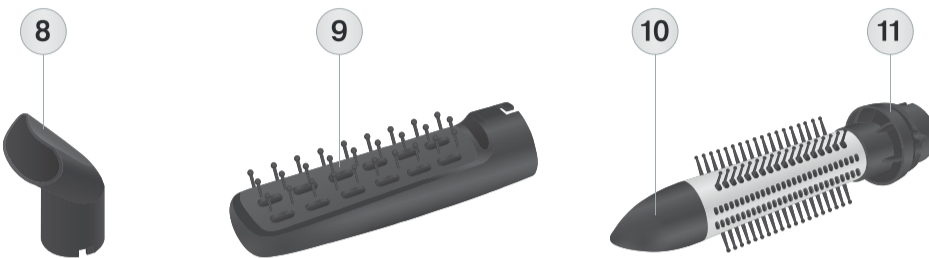
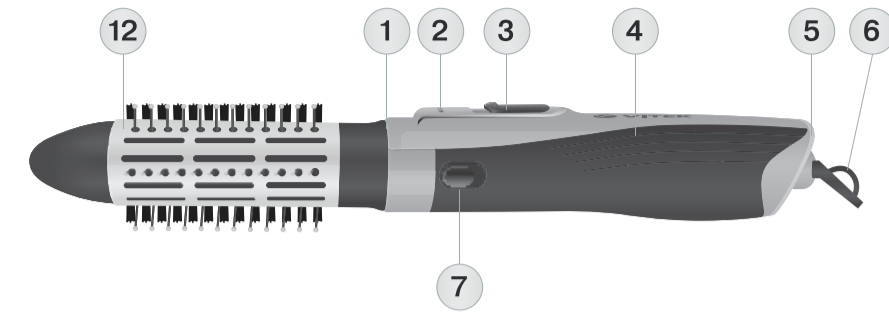


145MM



210MM

ENGLISH

HOT AIR STYLER VT-2509 Y-I

The hot air styler is intended for styling dry or slightly wet hair.

Description

1. Attachment installation place
2. Operation indicator
3. Operation mode switch «0/1/2/C»
4. Body
5. Air inlet grid
6. Hanging loop
7. Attachment lock buttons
8. Nozzle
9. Attachment comb
10. Brush with pullout bristles Ø 30 mm
11. Lever
12. Brush attachment Ø 40 mm

ATTENTION!

- Do not use the unit near containers filled with water (such as swimming pool etc.).
- After using the unit in a bathroom, unplug it by taking the power plug out of the mains socket, as closeness of water is dangerous even if the unit is switched off.
- For additional protection you can install a residual current device (RCD) with nominal operation current not exceeding 30 mA into the bathroom mains; contact a specialist for installation.

SAFETY MEASURES

- Before using the unit, read this instruction carefully and keep it for further reference. Use the unit according to its intended purpose only, as it is stated in this user manual. Mishandling the unit can lead to its breakage and cause harm to the user or damage to his/her property.
- To avoid the risk of electric shock, observe the following safety measures.**
- Before switching the unit on, make sure that your home mains voltage corresponds to the unit operating voltage.
 - Do not switch the unit on in places where aerosols are sprayed or highly inflammable liquids are used.
 - Hair spray should be applied only after hair styling is finished.
 - It is recommended to unwind the power cord to its full length while using the unit.
 - The power cord should not:
 - touch hot objects,
 - be immersed into water,

- run over sharp edges of furniture,
- be used as a handle for carrying the unit.
- Do not touch the unit, the power cord or the power plug with wet hands.
- Check integrity of the power cord periodically.
- Never use the unit if the power cord or plug is damaged, if the unit works improperly or after it was dropped. Contact an authorized service center for all repair issues.
- Do not use the unit while taking a bath.
- Do not put or keep the unit in places where it can fall into a bath or a sink filled with water; do not immerse the unit body, the power cord and the power plug into water or any other liquids.
- If the unit is dropped into water, unplug it immediately and only then take it out of the water.
- Never leave the operating unit unattended.
- Do not use the unit when you are drowsy.
- Do not use the unit to style wet hair or synthetic wigs.
- Install or change the brush attachments only when the unit is switched off and unplugged.
- Avoid contact of hot surfaces of the unit with your face, neck or other parts of your body.
- Do not put the operating unit on heat-sensitive or soft surfaces (for instance, bed or sofa) and do not cover it.
- Take the switched on unit by its handle only. Do not touch the attachments while using the unit.
- Be careful!** The attachments remain hot for some time after the unit is unplugged.
- Before you take the unit away, let it cool down, do not wind the power cord around the unit.
- When unplugging the unit, pull the power plug but not the cord.
- Always unplug the unit after every usage and before cleaning.
- Clean the unit regularly.
- Do not allow children to touch the unit body and the power cord during the unit operation.
- This unit is not intended for usage by children under 8 years of age.
- This unit is not intended for usage by people (including children over 8) with physical, neural and mental disorders or with insufficient experience or knowledge. Such persons may use this unit only if they are under supervision of a person who is responsible for their safety and if they are given all the necessary and understandable instructions concerning the

3

ENGLISH

- safe usage of the unit and information about danger that can be caused by its improper usage.
- Do not leave children unattended to prevent using the unit as a toy.
 - For children safety reasons do not leave polyethylene bags used as packaging unattended.
- Attention!** Do not allow children to play with polyethylene bags or packaging film. **Danger of suffocation!**
- Transport the unit in the original package only.
 - Keep the unit out of reach of children and disabled persons.

THE UNIT IS INTENDED FOR HOUSEHOLD USAGE ONLY

BEFORE THE FIRST USE

After unit transportation or storage at low temperature, it is necessary to keep it for at least two hours at room temperature before switching on.

- Unpack the unit completely and remove any stickers that can prevent unit operation.
- Check the unit for damages, do not use it in case of damages.
- Before switching the unit on, make sure that your home mains voltage corresponds to the unit operating voltage.
- Install one of the attachments on the unit body (4) so that the symbol «▼▼» is above the attachment lock button (7). Turn the attachment clockwise until clicking. If the attachment is set properly, you will hear the lock button (7) click.
- To remove the attachment, press the button (7) downwards and turn the attachment counterclockwise.

Note: Install or change the attachments only when the unit is unplugged.

- Insert the power plug into the mains socket.
- Make sure that the switch (3) is in the lower position «0».
- Select the required operation mode using the switch (3):
 - «0» – the unit is off,
 - «1» – low air flow speed,
 - «2» – high air flow speed,
 - «C» – «cool shot» mode.

Notes:
During the first operation some foreign smell and a small amount of smoke from the heating element is possible, this is normal.

4

ENGLISH

Styling

Start styling from the upper side of the head. Remember that hair should be dried from the roots; before starting to dry the next lock, make sure that you have dried the previous lock from roots to tips.

Overheating protection

This unit has automatic protection from overheating that will switch it off if the outgoing air is too hot. If the unit has been switched off during operation, switch it off by setting the switch (3) to the «0» position and unplug the unit; provide that the air inlets and outlets are unblocked and let the unit cool off for 10-15 minutes; after that you can switch it on again. Do not block the air openings during operation of the unit and avoid getting of hair into the air inlet grid (5) openings.

CLEANING AND CARE

- Before cleaning, unplug the unit and let it cool down completely.
- Do not immerse the unit, the power cord and the power plug into water or any other liquids.
- Do not use detergents, abrasives and any solvents to clean the unit.
- Clean the unit body with a soft, slightly damp cloth and then wipe it dry.
- You can wash the attachments with warm water. Always dry the attachments before installing.

STORAGE

- Let the unit cool down completely and clean it before taking away for storage.
- Do not wind the power cord around the unit body as this can damage the cord.

- For easy storing there is a hanging loop (6), you can store the unit by means of this loop provided that no water gets on the unit in this position.
- Keep the unit away from children in a dry cool place.

DELIVERY SET

Hot air styler – 1 pc.
Nozzle – 1 pc.
Attachment comb – 1 pc.
Brush-attachment – 2 pc.
Instruction manual – 1 pc.

TECHNICAL SPECIFICATIONS

Power supply: 220-240 V ~ 50 Hz
Power: 1200 W

The manufacturer preserves the right to change the specifications of the unit without a preliminary notification.

Unit operating life is 3 years

Guarantee

Details regarding guarantee conditions can be obtained from the dealer from whom the appliance was purchased. The bill of sale or receipt must be produced when making any claim under the terms of this guarantee.

CE This product conforms to the EMC-Requirements as laid down by the Council Directive 2004/108/EC and to the Low Voltage Regulation (2006/95/EC)

5

VT-2509 Y-I

Hot air brush

INSTRUCTION MANUAL